

OFFICINA DELLE IDEE

Designed by: arch. Luigi Molinis



Medusa painted in Pearl Gray (cod. L6)



medusa

MEDUSA floats ethereally on the inclined plane of life. And heat diffuses into the environment. Round, slimline, made to live sinuously in space, MEDUSA is a highly refined element which enhances the space in which it is inserted.

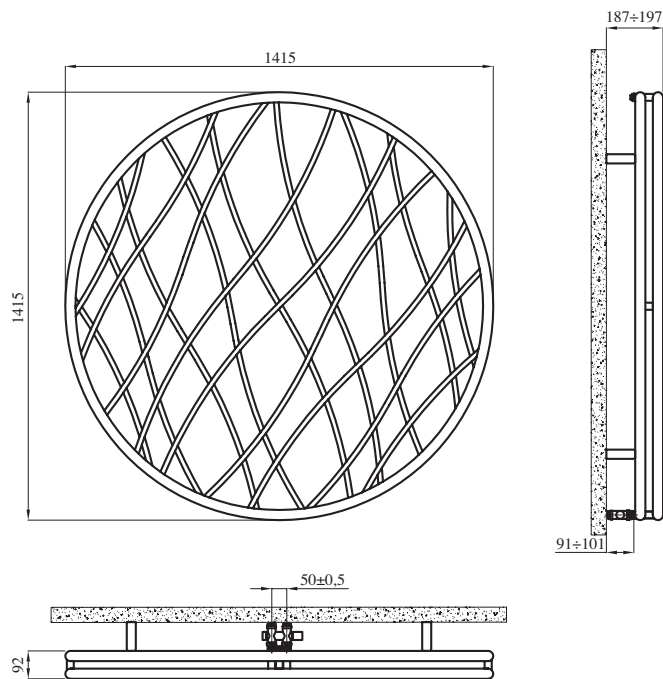


Medusa painted in Pearl Gray (cod. L6)

MEDUSA



In photo: Medusa radiator. Height mm 1415, width mm 1415, painted in Pearl White (cod. 16).



Packing included:

- 1 straight pattern 50 mm valve and lockshield valve assembly complete with copper fitting (diameters: 10, 12, 14, 15, 16 mm) multilayer (14 thick 2 and 16 thick 2);
- 4 wall brackets;

TECHNICAL SPECIFICATIONS:

- 33,70 mm diameter circular external tubes.
- 16 mm diameter undulated steel tubes.
- 1/2" Gas right threading.
- Maximum working pressure 8 bar.
- Maximum working temperature 95°C.

MODEL	Code	Depth mm	Height mm	Width mm	Con. Centre mm	Weight Kg	Capacity lt	Thermal Power					Exponent n.
								Δt 50°C Btu/h	Δt 50°C Watt	Δt 40°C Watt	Δt 30°C Watt	Δt 20°C Watt	
Medusa	MEDAV01 xx	92	1415	1415	50	28,1	8,0	4116	1206	910	633	380	1,261

• Medusa is available in the "Serie Special" colour series and in the "Serie Elegance" Iridescent Copper (code 3B) and Iridescent Brass (code 4B)

xx = colour option

For Δt different from 50°C use the formula: $Q=Q_n (\Delta t / 50)^n$



In photo: detail of radiator Medusa.



In photo: detail of radiator Medusa, colour Pearl Grey (cod. L6).

CE⁰⁶
EN442-1

EURO NORM
EN 442

IRSAP
i termoarredatori